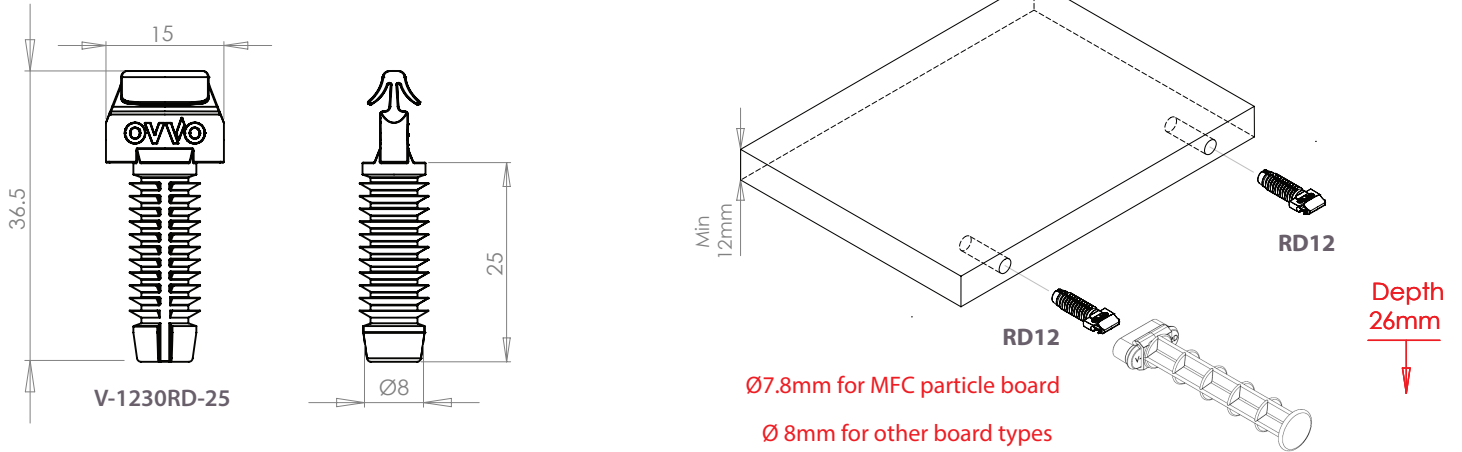


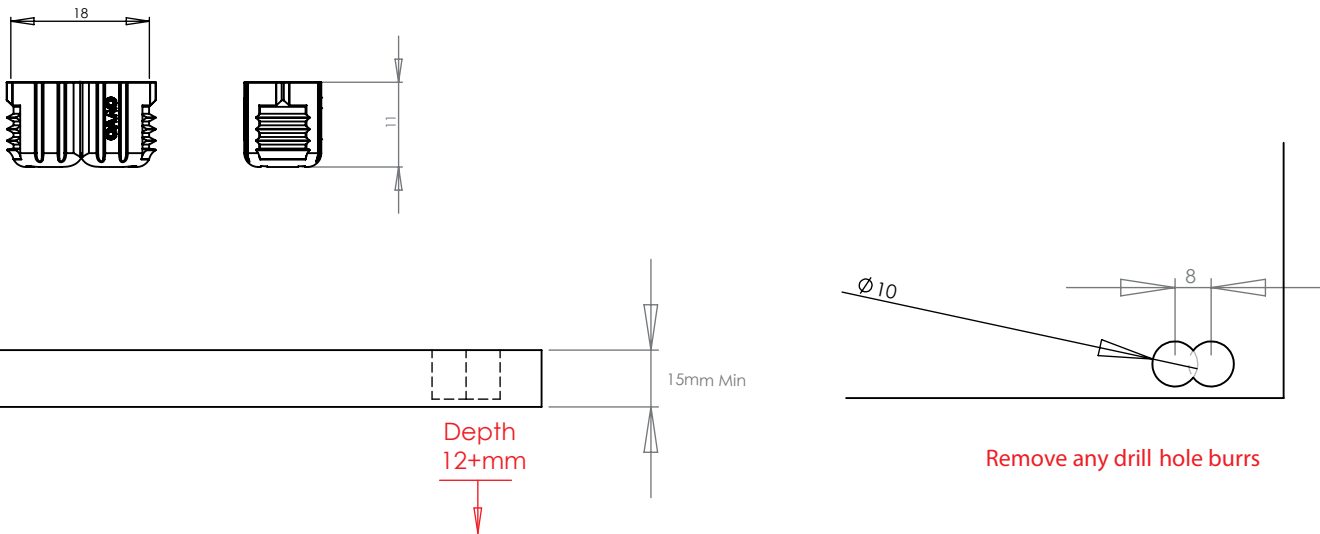
DH1 & RD12 Drilling Instructions



1. Drilling for RD12



2. Drilling for DH1



3. Assembly

