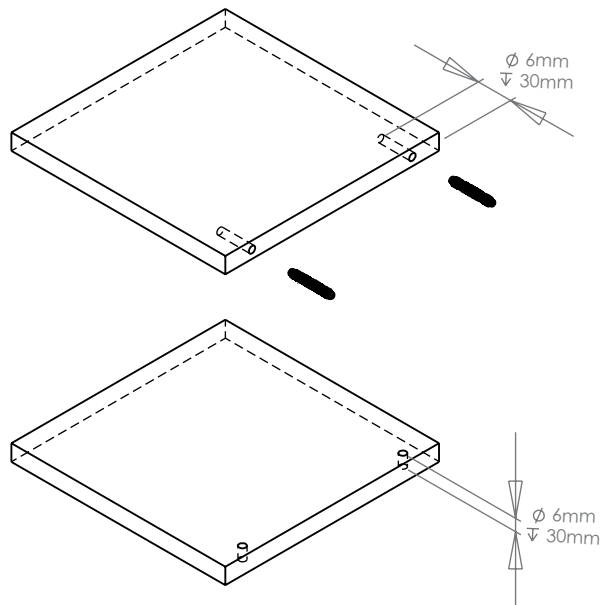
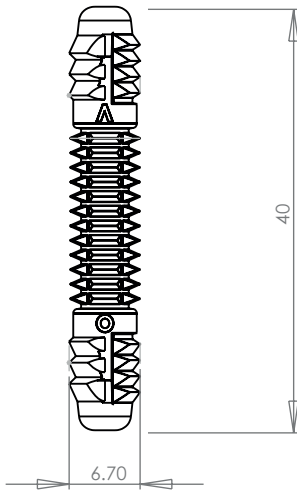


OD640 Dowel Permanent Instructions

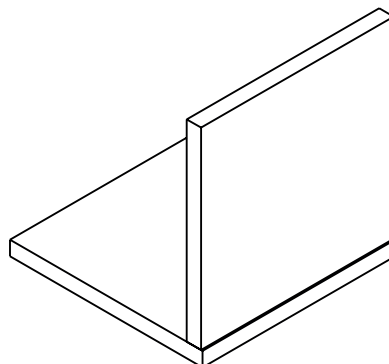
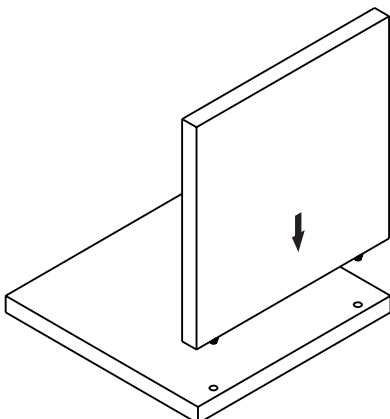


1. Drilling for OD640 Dowel



Min Panel Thickness 12mm

3. Assembly



Note: It is not necessary to use glue but if additional strength is required for specific materials glue can be added.



Can be used
with glue