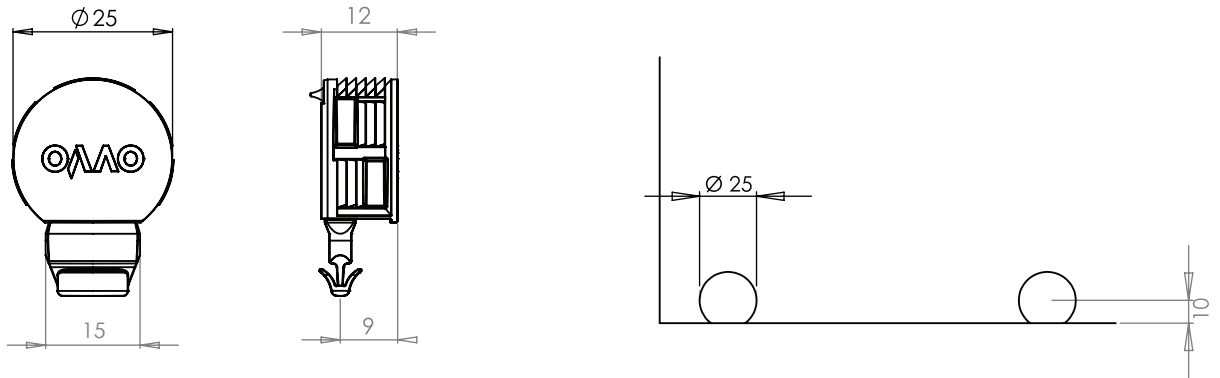


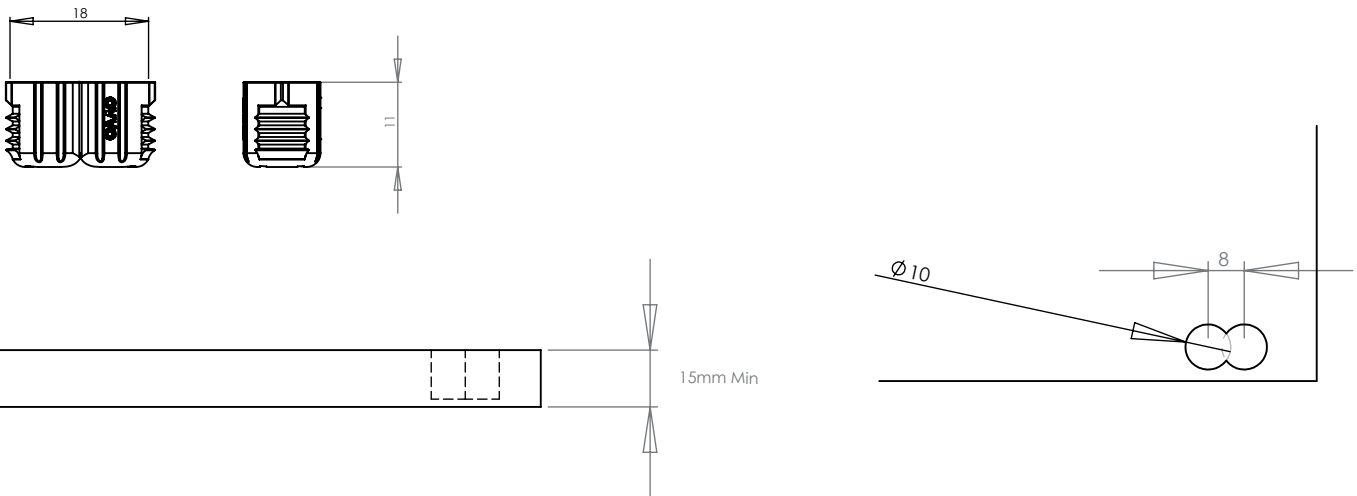
# DH1 & RN12 Drilling Instructions



## 1. Drilling for V-1230NR-25



## 2. Drilling for DH1



## 3. Assembly

