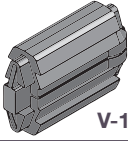
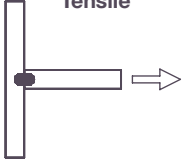
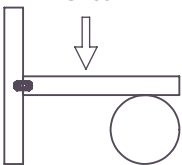
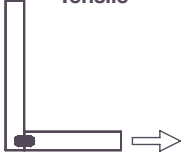
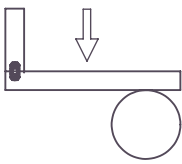
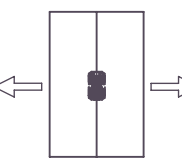
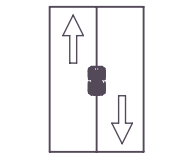


OVVO® V Connection System

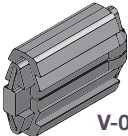
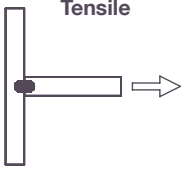
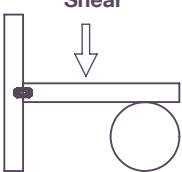
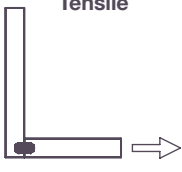
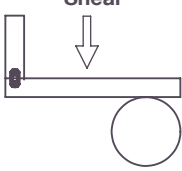
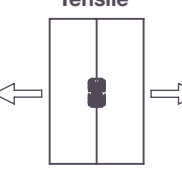
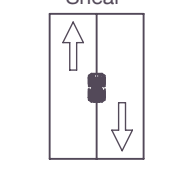
V-1230 Shear & Tensile

 V-1230	18mm Chipboard		18mm MDF		18mm Plywood		12mm Plywood		12mm HPL	
	Permanent	Releasable	Permanent	Releasable	Permanent	Releasable	Permanent	Releasable	Permanent	Releasable
Tensile  2 x V-1230 per test	75kg	62.5kg	80kg	50kg	165kg	100kg	90kg	69kg	-	-
Shear  2 x V-1230 per test	180kg	155kg	210kg	155kg	570kg	390kg	200kg	130kg	-	-
Tensile  2 x V-1230 per test	47.5kg	47.5kg	-	-	-	-	-	-	-	-
Shear  2 x V-1230 per test	100kg	100kg	-	-	-	-	-	-	-	-
Tensile  1 x V-1230 per test	60kg	35kg	60kg	40kg	-	-	100kg	50kg	120kg	60kg
Shear  1 x V-1230 per test	125kg	84kg	165kg	105kg	-	-	200kg	125kg	275kg	165kg



OVVO® V Connection System

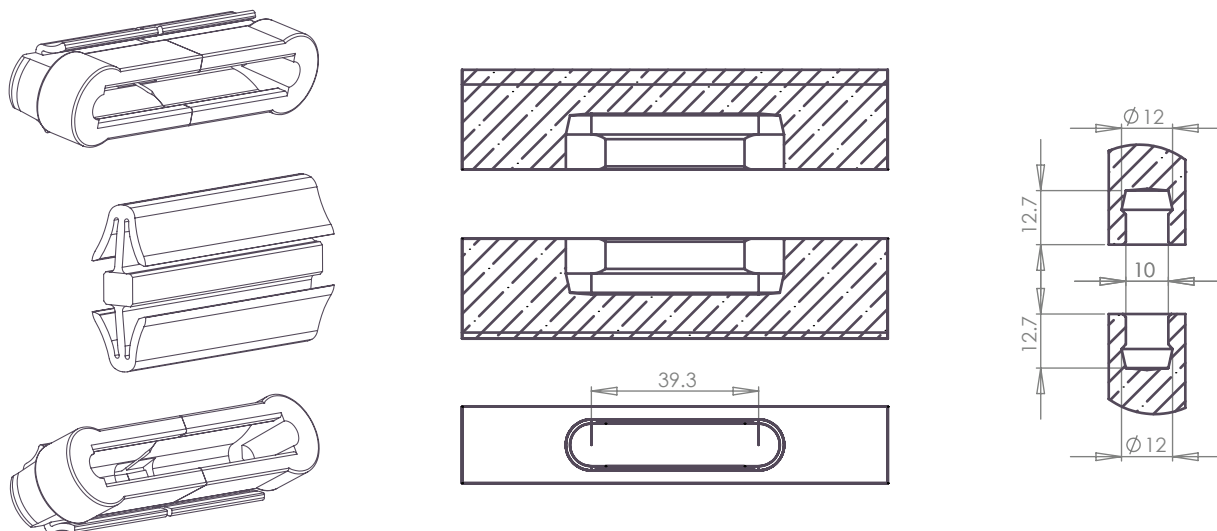
V-0930 Shear & Tensile

 V-0930	18mm Chipboard		18mm MDF		18mm Plywood		12mm Plywood		12mm HPL	
	Permanent	Releasable	Permanent	Releasable	Permanent	Releasable	Permanent	Releasable	Permanent	Releasable
Tensile  2 x V-0930 per test	65kg	52.5kg	67.5kg	42.5kg	140kg	82.5kg	75kg	57.5kg	-	-
Shear  2 x V-0930 per test	150kg	130kg	180kg	130kg	475kg	325kg	175kg	110kg	-	-
Tensile  2 x V-0930 per test	40kg	40kg	-	-	-	-	-	-	-	-
Shear  2 x V-0930 per test	85kg	85kg	-	-	-	-	-	-	-	-
Tensile  1 x V-0930 per test	50kg	30kg	50kg	35kg	-	-	85kg	45kg	100kg	50kg
Shear  1 x V-0930 per test	105kg	70kg	137.5kg	90kg	-	-	170kg	105kg	230kg	140kg

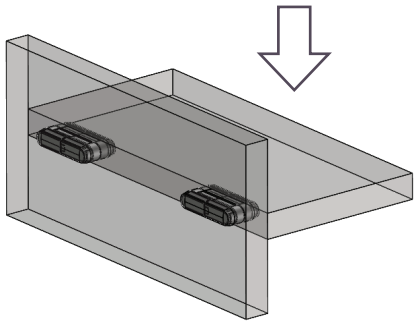



OVVO® Permanent 1240

Shear & Tensile

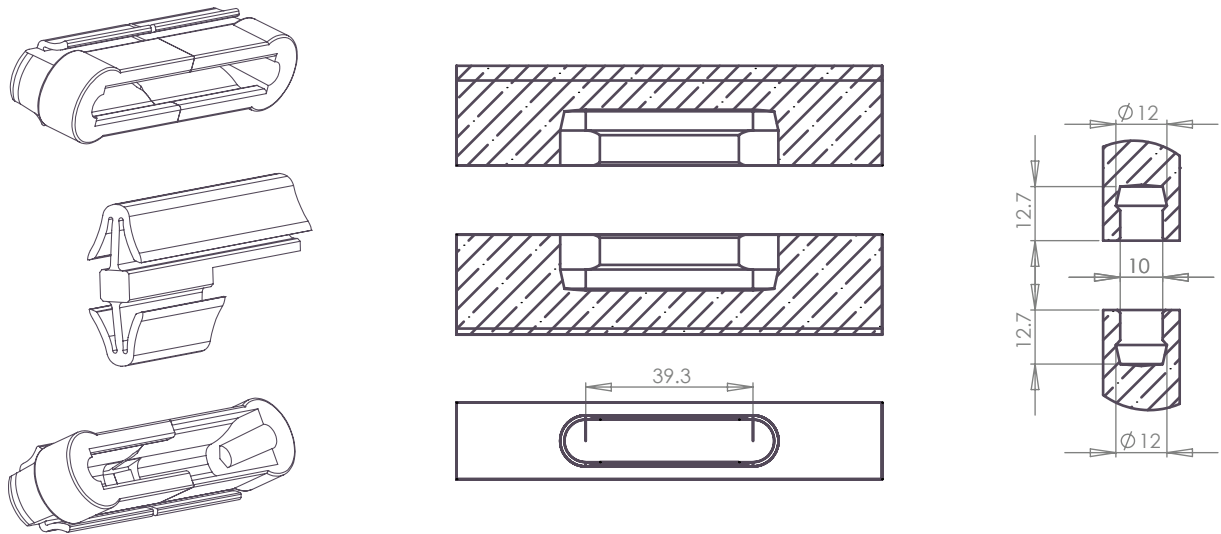


The OVVO® Permanent Connection Set is an ideal solution for connecting materials together permanently.

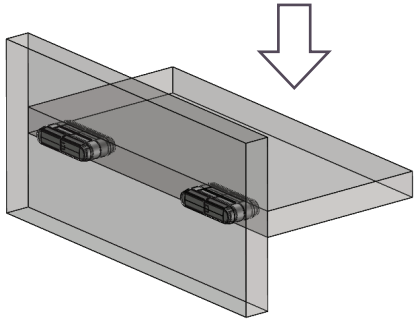

Shear	Tensile
 <p>PH1240 (dual test shear)</p> <p>Chipboard = 600 N</p> <p>MDF = 700 N</p> <p>Beech = 1000 N</p>	 <p>PH1240 (component test tensile)</p> <p>Per Component = 500 N</p>

OVVO® Releasable 1240

Shear & Tensile



The OVVO® Releasable Connection Set lets you assemble and un-assemble products efficiently.

Shear	Tensile
 <p>RH1240 (dual test Shear)</p> <p>Chipboard = 500 N</p> <p>MDF = 600 N</p> <p>Beach = 700 N</p>	 <p>RH 1240 (component test tensile)</p> <p>Per Component = 300 N</p>