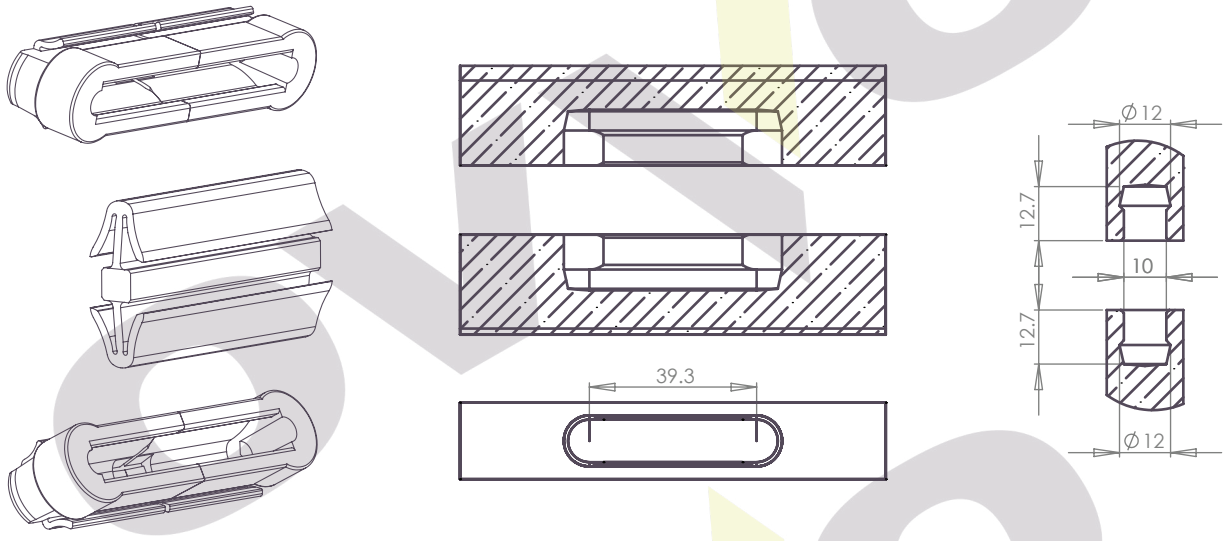
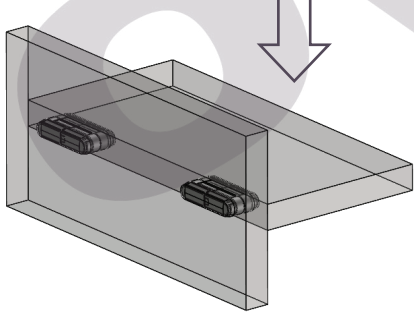



OVVO® Permanent 1240

Shear & Tensile

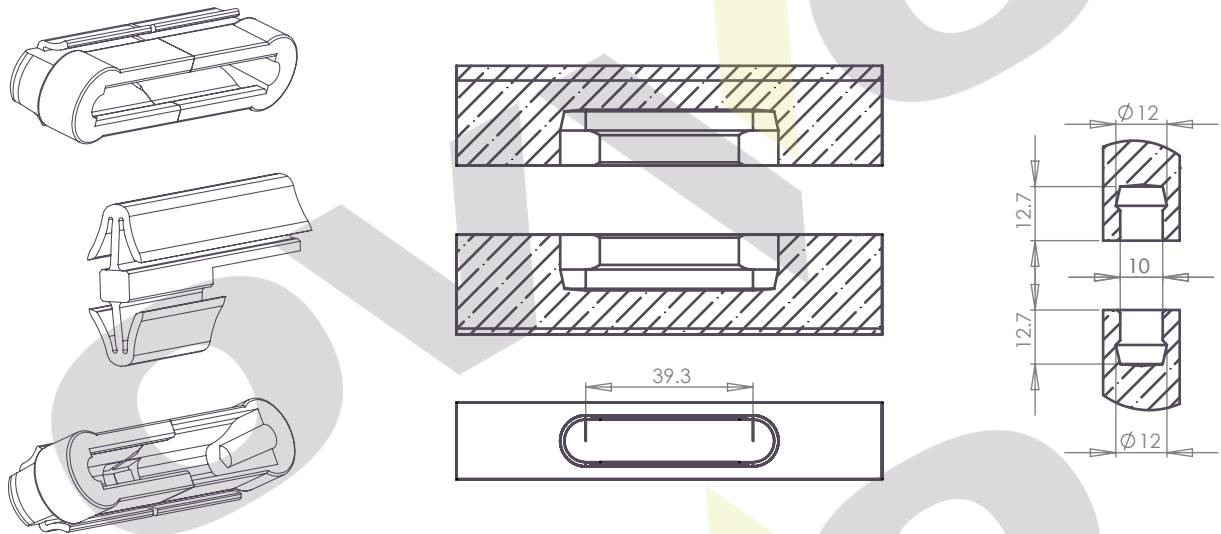


The OVVO® Permanent Connection Set is an ideal solution for connecting materials together permanently.

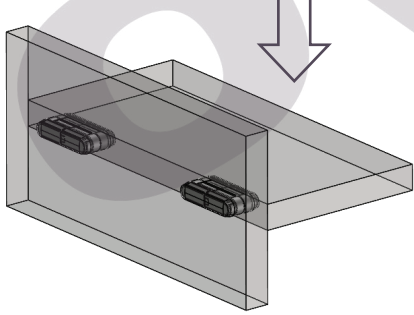

Shear	Tensile
 <p>PH1240 (dual test shear)</p> <p>Chipboard = 600 N</p> <p>MDF = 700 N</p> <p>Beech = 1000 N</p>	 <p>PH1240 (component test tensile)</p> <p>Per Component = 500 N</p>

OVVO® Releasable 1240

Shear & Tensile



The OVVO® Releasable Connection Set lets you assemble and un-assemble products efficiently.

Shear	Tensile
 <p>RH1240 (dual test Shear) Chipboard = 500 N MDF = 600 N Beach = 700 N</p>	 <p>RH 1240 (component test tensile) Per Component = 300 N</p>