

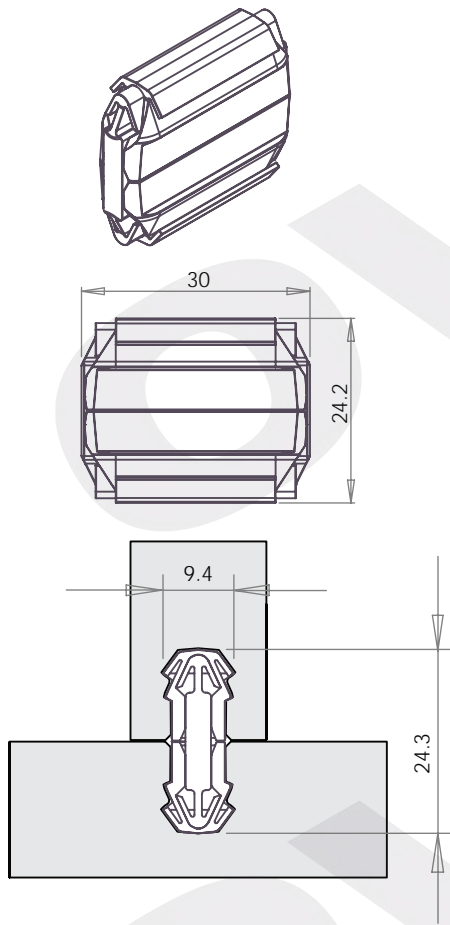
OVVO® V Connection System

V-1230 Permanent Specifications

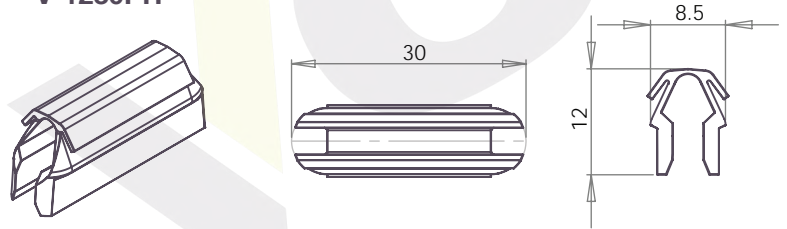
THE FUTURE OF CONNECTION



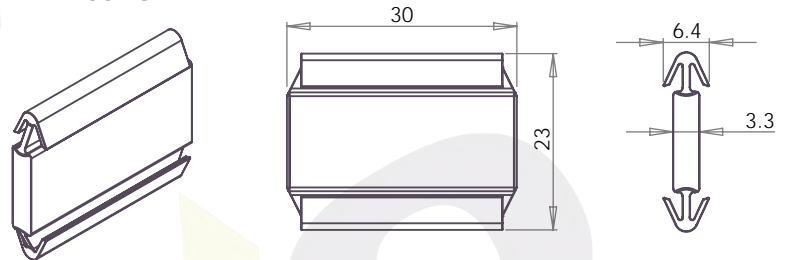
V-1230 Permanent



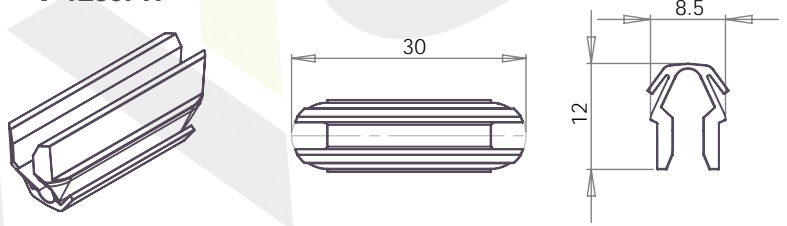
V-1230PH



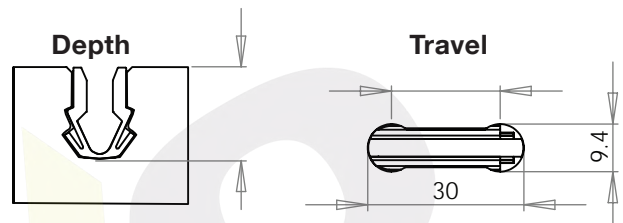
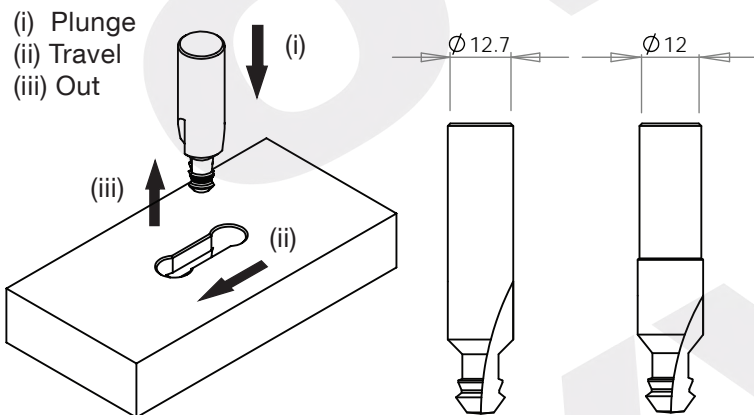
V-1230PC



V-1230PH



- (i) Plunge
- (ii) Travel
- (iii) Out



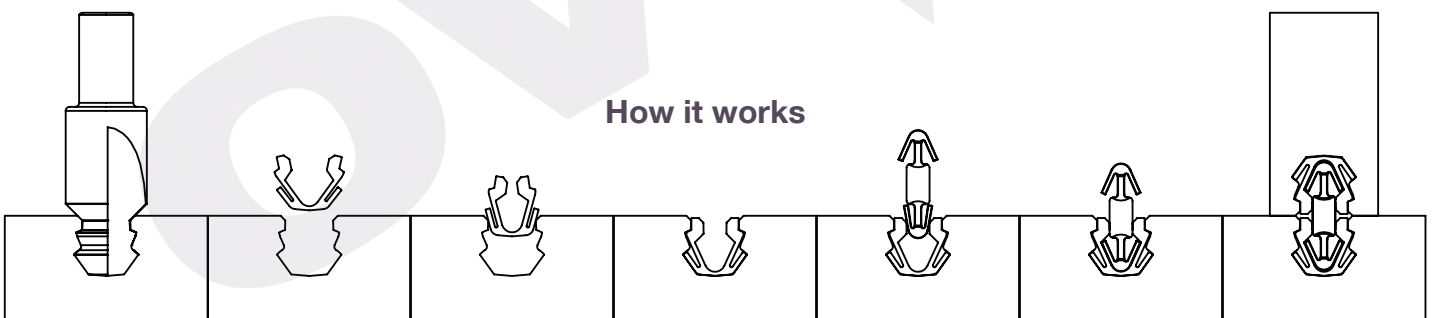
Recommended Settings

Depth: 12.0mm (min) - 13.0mm (max)

Travel Centre to Centre: 20.5mm (min) - 20.7mm

Rotation Speed: CNC speeds vary with different materials. Maximum cutter rotation: 18,000

How it works



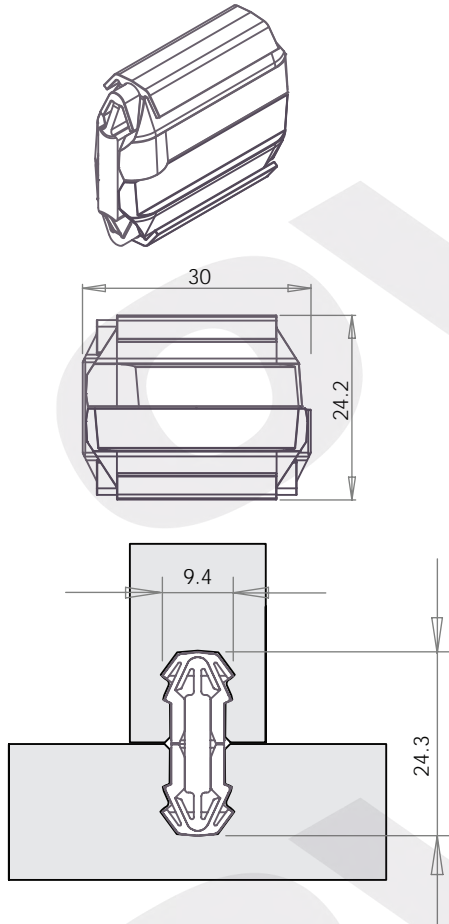
OVVO® V Connection System

V-1230 Releasable Specifications

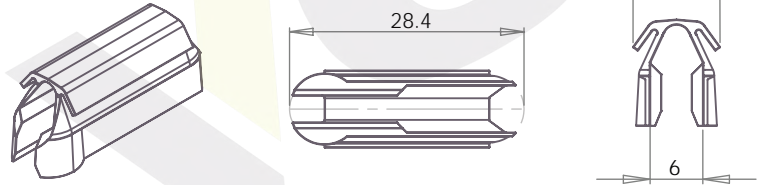
THE FUTURE OF CONNECTION



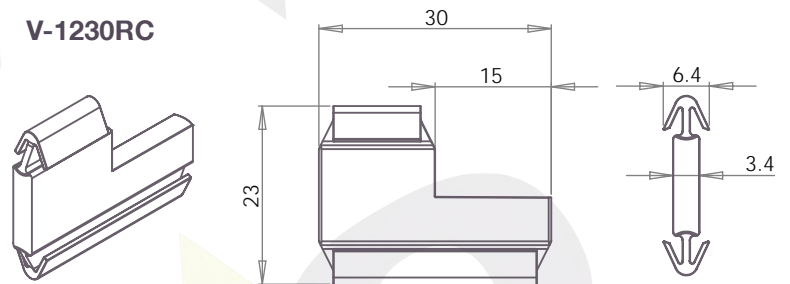
V-1230 Releasable



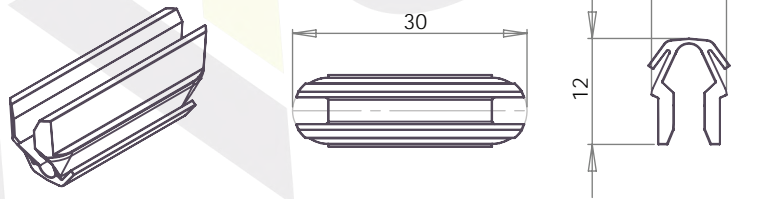
V-1230RH



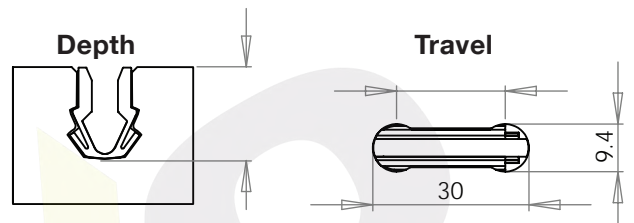
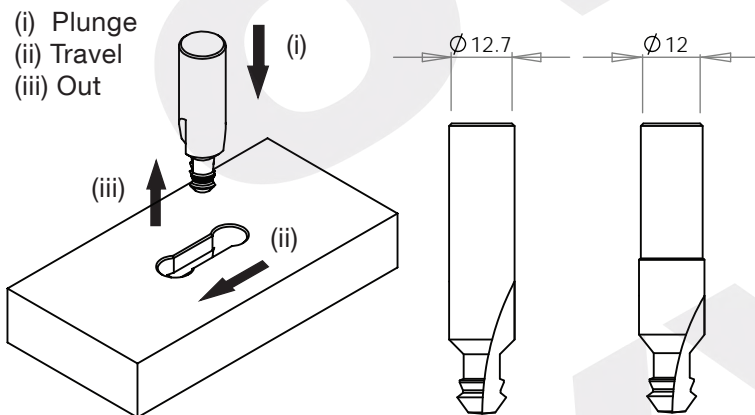
V-1230RC



V-1230PH



- (i) Plunge
- (ii) Travel
- (iii) Out



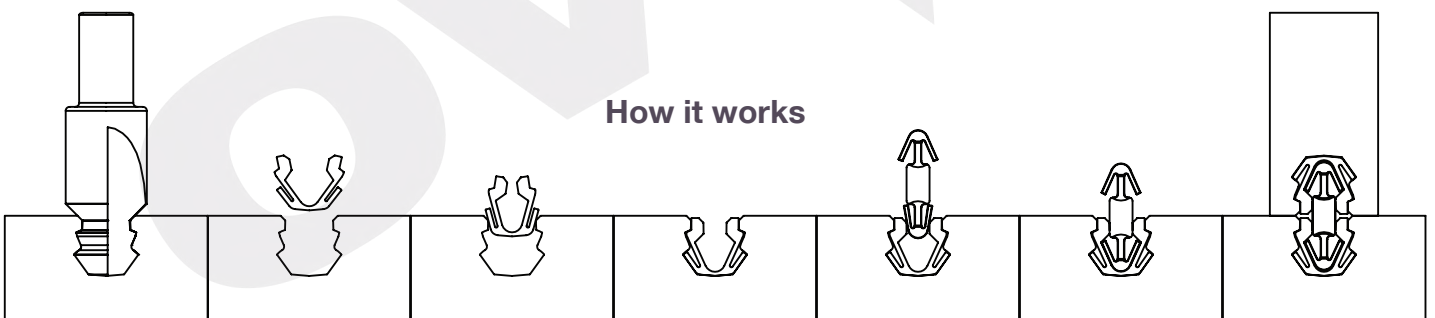
Recommended Settings

Depth: 12.0mm (min) - 13.0mm (max)

Travel Centre to Centre: 20.5mm (min) - 20.7mm

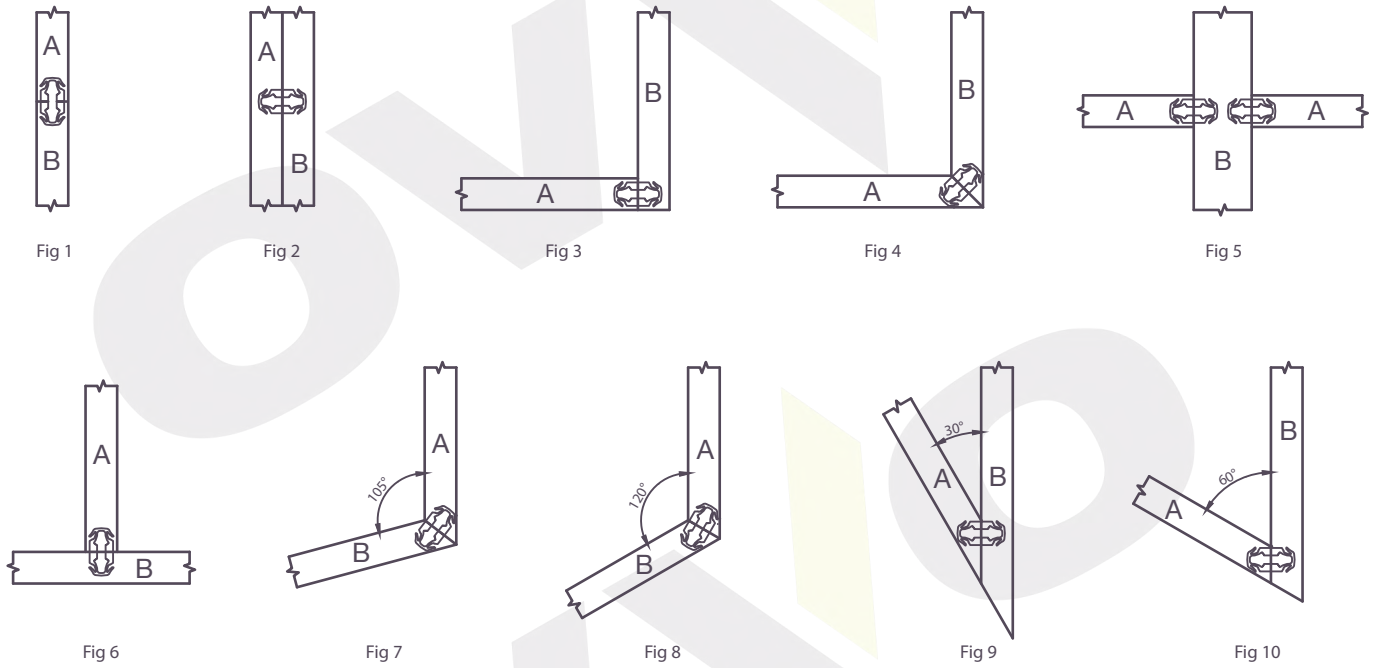
Rotation Speed: CNC speeds vary with different materials. Maximum cutter rotation: 18,000

How it works



V-1230 Recommended Minimum Board Depth

Recommended minimum board depth or thickness values for the V-1230 will change depending on both the substrate material used as well as the joint angle.

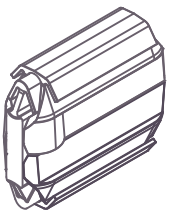


Minimum recommended measurements shown below are categorized according to two distinct groups of board material which share broadly similar connector retention properties.

	HPL, Composite, Solid Surface, Hardwoods, Birch Plywood	
	A	B
Fig 1	12mm	12mm
Fig 2	15mm	15mm
Fig 3	12mm	15mm
Fig 4	15mm	15mm
Fig 5	12mm	30mm
Fig 6	12mm	15mm
Fig 7	16mm	16mm
Fig 8	16mm	16mm
Fig 9	16mm	16mm
Fig 10	16mm	16mm

	Particle/Chipboard, Softwoods, MDF	
	A	B
Fig 1	15mm	15mm
Fig 2	15mm	15mm
Fig 3	15mm	15mm
Fig 4	15mm	15mm
Fig 5	15mm	30mm
Fig 6	15mm	15mm
Fig 7	16mm	16mm
Fig 8	18mm	18mm
Fig 9	16mm	16mm
Fig 10	18mm	18mm

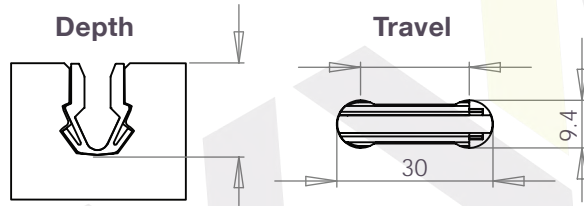
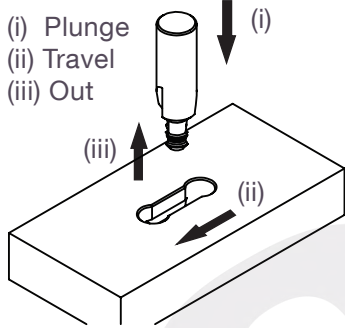
These are guidelines only and OVVO® recommends trial connections be made before going into full production.



V-1230

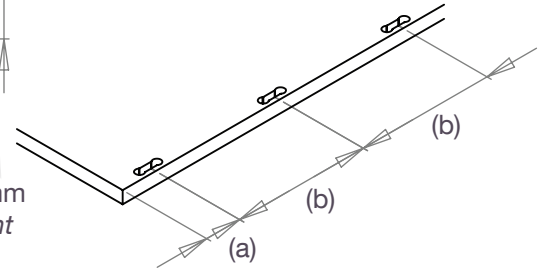
Releasable Instructions

1. Milling



Recommended Spacing

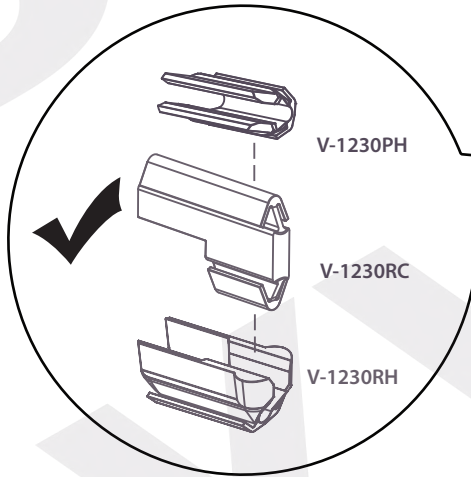
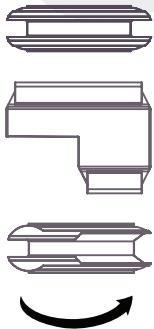
- (a): 35mm to 80mm
- (b): 100mm to 250mm



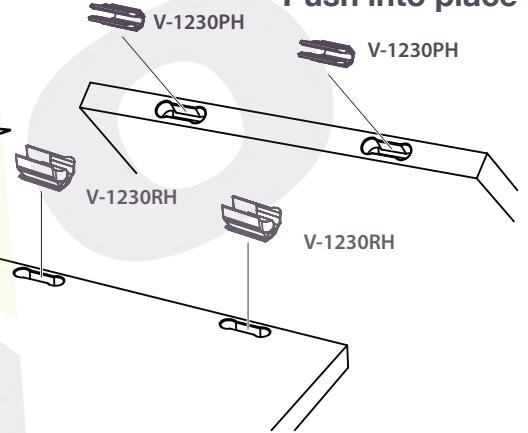
Recommended Settings

Depth: 12.0mm (min) - 13.0mm (max)
Travel Centre to Centre: 20.5mm (min) - 20.7mm
Rotation Speed: CNC speeds vary with different materials. Maximum cutter rotation: 18,000

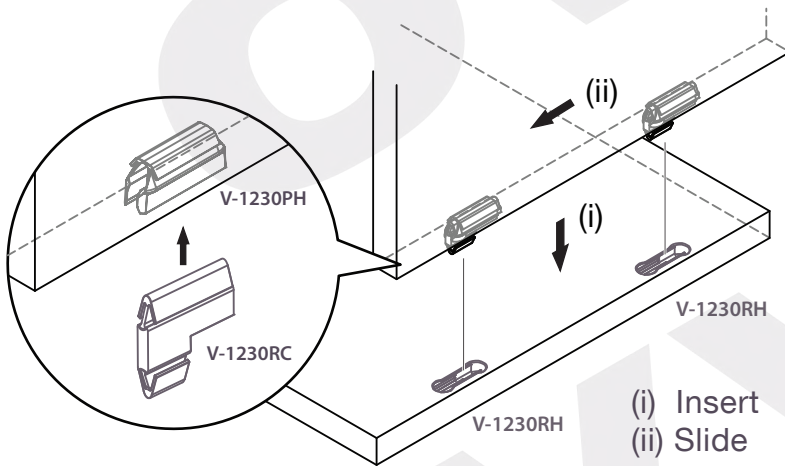
2. Housing



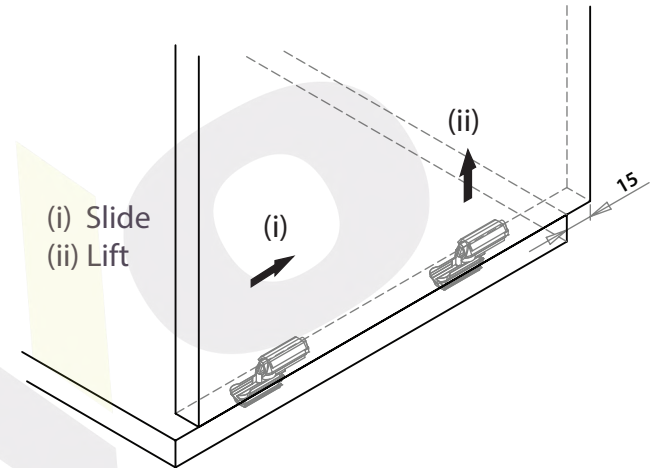
Push into place



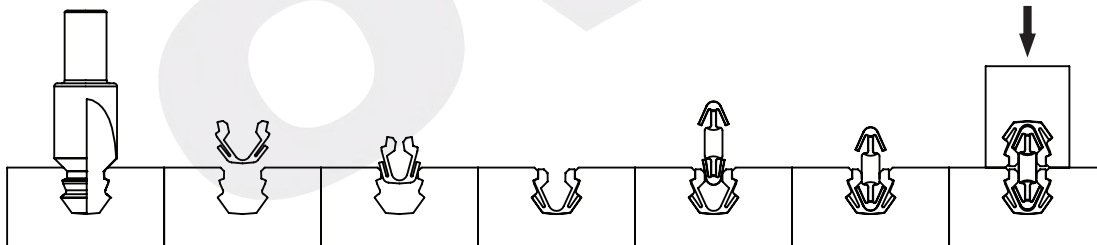
3. Assembly - Simply slide to connect



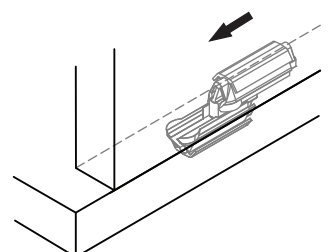
4. Release

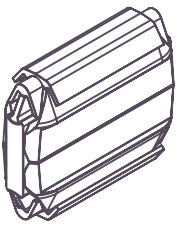


How it works



Simply slide to connect

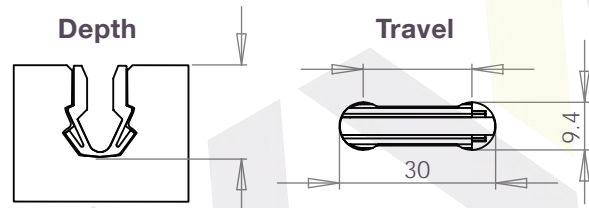
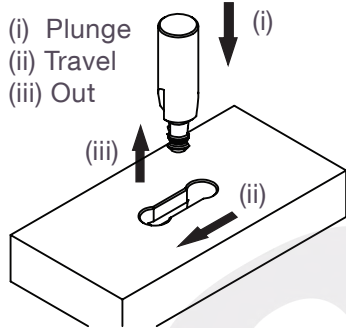




V-1230

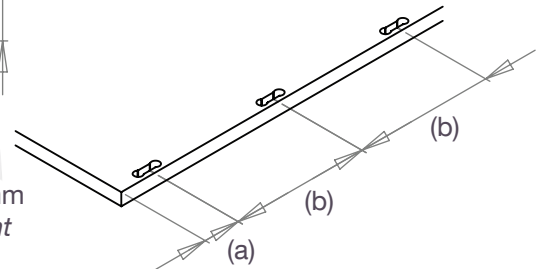
Permanent Instructions

1. Milling



Recommended Spacing

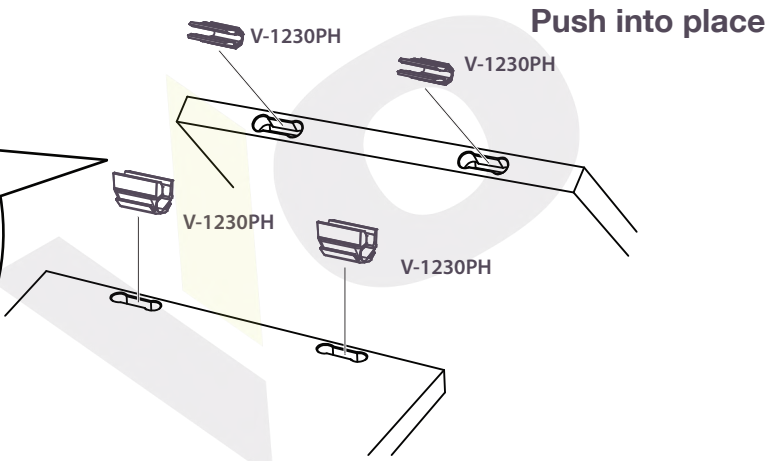
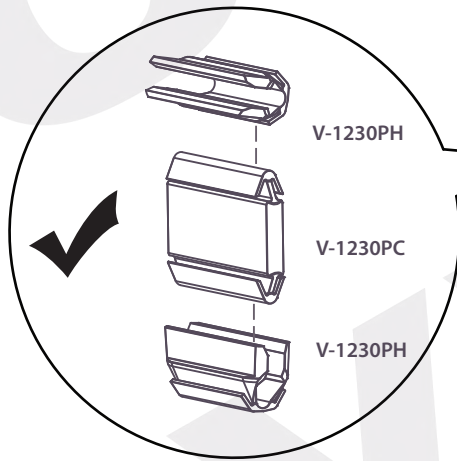
- (a): 35mm to 80mm
- (b): 150mm to 350mm



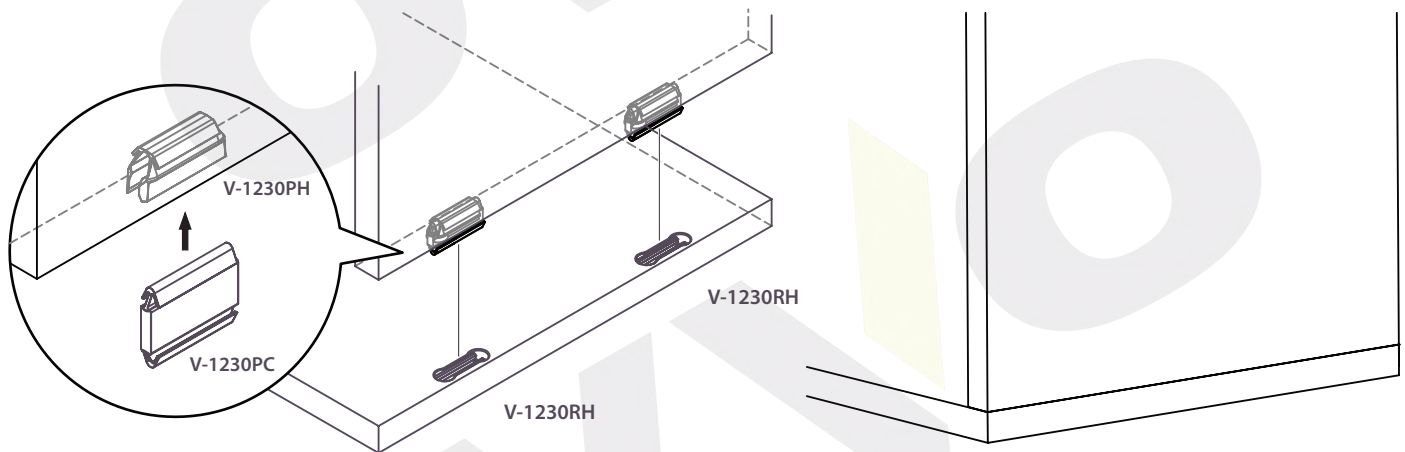
Recommended Settings

Depth: 12.0mm (min) - 13.0mm (max)
Travel Centre to Centre: 20.5mm (min) - 20.7mm
Rotation Speed: CNC speeds vary with different materials. Maximum cutter rotation: 18,000

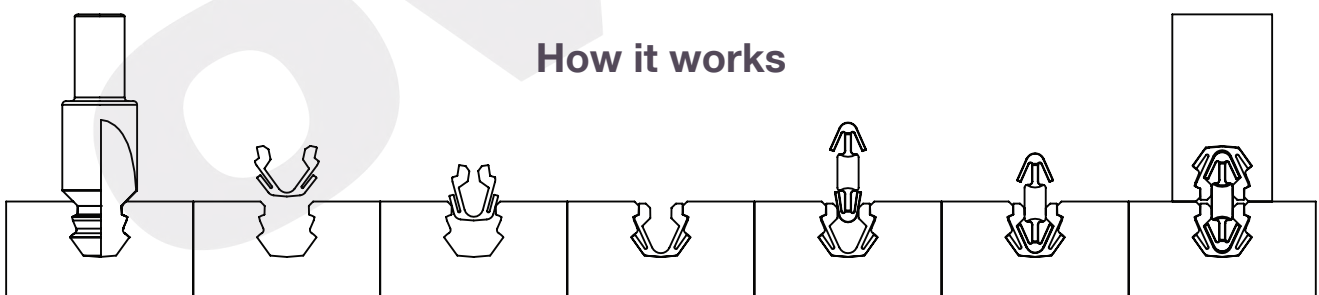
2. Housing



3. Assembly - Simply push into place to connect



How it works



OVVO® V Connection System

Important! Make a test

THE FUTURE OF CONNECTION



IMPORTANT! MAKE A TEST
WICHTIG! MACHEN SIE EINEN TEST
IMPORTANT! FAIRE UN TEST
IMPORTANTE! FARE UN TEST
IMPORTANTE! HACER UNA PRUEBA

RECOMMENDED DEPTH TOLERANCES

V-1230	12.0mm (min) - 13.0mm (max)
--------	-----------------------------

